

MS20658

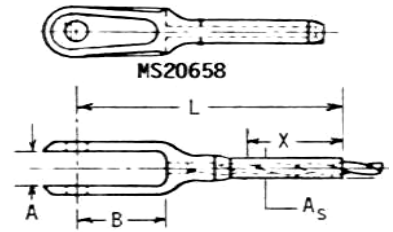
Supercedes AN658

- Terminal , Wire Rope swaging, Fork End, For Bearing

Carbon Steel - Cadium plated per QQ-P-416. Cres - Passivated. Parts are interchangeable. Replace dash (-) with F to denote Carbon Steel.

MS20658	BEARING	Wire Rope Diameter	Pin Hole Diameter	L	A	B	X Min*	As*	Strength
-3	200KP3	3/32	.190	2.531	.302	1.062	.80	.190	920LBS
-4	200KP4	1/8	.250	3.062	.489	1.188	1.05	.219	2000
-5	200KP4	5/32	.250	3.313	.489	1.188	1.29	.250	2800
-6	200KP4	3/16	.250	3.562	.489	1.188	1.31	.313	4200
-7	200KP5	3/16	.313	3.687	.563	1.313	1.31	.313	4200

*Swaged terminal shall conform to As diameter for length 'X'



MS20663

Supercedes AN663

- Swaging Terminal, Double Shank.

MS20664

Supercedes AN664

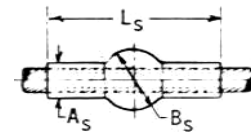
- Swaging Terminal, Single Shank.

Carbon Steel - Cadium plated per QQ-PP-416. Cres - Passivated. Part are interchangeable. Replace dash (-) with C to denote CRES.

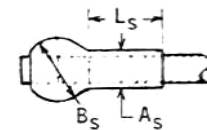
MS20663	Cable Dia.	Ms20663 Ls	Ms20664 Ls	As	Bs	Strength
-2	1/16	.390	.156	.112	.190	480LBS
-3	3/32	.578	.234	.143	.253	920
-4	1/8	.765	.313	.190	.315	2000
-5	5/32	.953	.391	.222	.379	2800
-6	3/16	1.140	.469	.255	.442	4200
-7	7/32	1.328	.547	.302	.505	5600
-8	1/4	1.515	.625	.348	.567	7000
-9	9/32	1.719	.750	.382	.632	8000
-10	5/16	1.875	.813	.413	.694	9800

Note: Dimensions are after swaging

MS20663



MS20664



MS20667

Supercedes AN667

-Terminal, Wire Rope Swaging, Fork End.

MS20668

Supercedes AN668

-Terminal, Wire, Rope Swaging, Eye End.

Carbon Steel - Cadium plated per QQ-P-416. 300 Series CRES-Passivated. Parts are interchangeable. Replace dash (-) with F to denote Carbon Steel.

MS20667	Wire Rope Diameter	Pin Hole Diameter	Ls	A7	A8	B	C	Strength
-2	1/16	.190	1.75	.093	.088	.500	.180	480LBS
-3	3/32	.190	2.06	.108	.103	.670	.219	920
-4	1/8	.190	2.61	.195	.190	.735	.250	2000
-5	5/32	.250	3.00	.202	.197	.800	.320	2800
-6	3/16	.313	3.24	.260	.255	.880	.391	4200
-7	7/32	.313	3.74	.296	.291	.970	.407	5600
-8	1/4	.375	4.10	.313	.307	1.070	.484	7000
-9	9/32	.438	4.48	.327	.322	1.170	.555	8000
-10	5/16	.438	4.86	.348	.343	1.268	.609	9800

MS21259

Supercedes AN666

-Terminal, Wire Rope Stud (Not for use with Turnbuckle Barrels).

MS21260

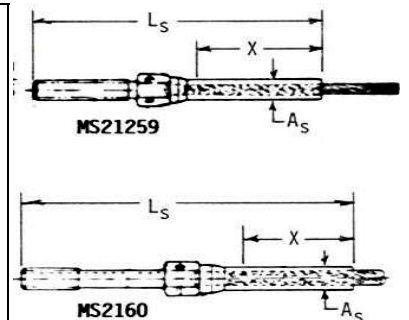
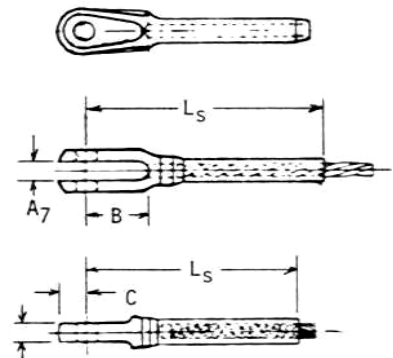
Supercedes AN669 and NAS650

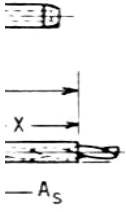
- Terminal, Wire Rope Stud.

Carbon Steel- Cadmium plated per QQ-P-416. 300 Series CRES-Passivated. MS parts can replace AN parts. MS parts are interchangeable with Nas parts. Hexagonal facing may be eliminated by optional design.

MS21259		MS21260		Wire Rope	MS21259	MS21260	X	As	Thread	Strength
RH	LH	RH	LH	Diameter	Ls	Ls	Min*			
-2RH	-2LH	-L2RH	L2LH	1/16	2.65	3.67	.70	.138	#6-40	480LBS
		-S2RH	S2LH	1/16		2.79	.70	.138	#6-40	480
-3RH	-3LH	-L3RH	L3LH	3/32	3.00	3.86	.80	.190	#10-32	920
		-S3RH	S3LH	3/32		2.98	.80	.190	#10-32	920
-4RH	-4LH	-L4RH	L4LH	1/8	3.59	4.28	1.05	.219	1/4-28	2000
		-S4RH	S4LH	1/8		3.40	1.05	.219	1/4-28	2000
-5RH	-5LH	-L5RH	L5LH	5/32	3.97	4.66	1.29	.250	1/4-28	2800
		-S5RH	S5LH	5/32		3.78	1.29	.250	1/4-28	2800
-6RH	-6LH	-L6RH	L6LH	3/16	4.17	4.78	1.31	.313	5/16-24	4200
		-S6RH	S6LH	3/16		3.90	1.31	.313	5/16-24	4200
-7RH	-7LH	-7RH	-7LH	7/32	4.81	5.21	1.55	.375	3/8-24	5600
-8RH	-8LH	-8RH	-8LH	1/4	5.24	5.52	1.70	.438	3/8-24	7000
-9RH	-9LH	-9RH	-9LH	9/32	5.75	5.90	1.89	.500	7/16-20	8000
-10RH	-10LH	-10RH	-10LH	5/16	6.27	6.30	2.06	.563	1/2-20	9800

* Swaged terminal shall conform to As diameter for length 'X'. Sizes continue to -32RH/LH for 1" diameter cable. Ls dimensions are after swaging.





7

8

9

