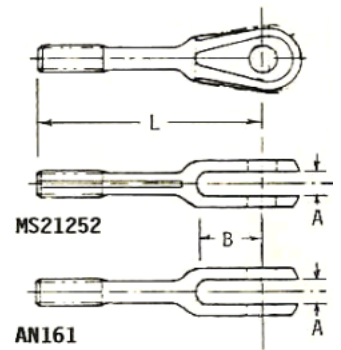


# TURNBUCKLE COMPONENTS

## MS2152 Supercedes AN161 and NAS645- TURNBUCKLE FORK.

Steel- Cadmium plated per QQ-PP-41+. First letter denotes thread ( Left or Right). Second letter denotes long or short. MS2152 can replace AN161.

MS2152-		AN161		Wire Rope		Pin Hole		L	A	B	Thread	Strength
RH	LH	RH	LH	Diameter	Diameter							
-----	-----	5RS	5LS	-----	.164	1.063	.150	.375	#4-48	500LBS		
2RS	2LS	8RS	8LS	1/16	.190	1.500	.109	.375	#6-40	800		
3RS	3LS	16RS	16LS	3/32	.190	1.625	.156	.375	#10-32	1600		
3RL	3LL	16RL	16LL	3/32	.190	2.500	.156	.375	#10-32	1600		
4RS	4LS	22RS	22LS	1/8	.190	1.844 (1)	.195 (4)	.531 (5)	1/4-28	2200		
4RL	4LL	22RL	22LL	1/8	.190	2.734 (2)	.195 (4)	.531 (5)	1/4-28	2200		
5RS	5LS	32RS	32LS	5/32	.250	1.844	.218	.531	1/4-28	3200		
5RL	5LL	32RL	32LL	5/32	.250	2.734	.218	.531	1/4-28	3200		
6RS	6LS	46RS	46LS	3/16	.313	2.031	.250	.656	5/16-24	4600		
6RL	6LL	46RL	46LL	3/16	.313	2.906	.250	.656	5/16-24	4600		
8RL	8LL	61RL	61LL	1/4	.375	3188 (3)	.270	.875 (6)	3/8-24	6100		
8RL	8LL	80RL	80LL	1/4	.375	3.188	.312	.875	3/8-24	8000		
9RL	9LL	125RL	125LL	9/32	.438	3.438	.375	1.000	7/16-20	125000		
10RL	10LL	175RL	175LL	5/16	.500	3.688	.437	1.188	1/2-20	17500		

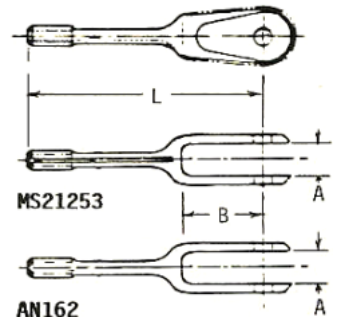


(1) AN161=1.179 (2) AN161=2.594 (3) AN161=3.156 (4) AN161=.187 (5) AN161=.469  
(6) AN161=.843

## MS21253 Supercedes AN162 and NAS646- CLEVIS END TURNBUCKLE, FOR BEARING.

Steel- Cadmium plated per QQ-P-416. First letter denotes thread ( Left or Right). Second letter denotes long or short. MS21253 can replace AN162.  
MS21253 and NAS646 are interchangeable.

MS21253- or AN162-		MS/AN	Wire Rope	Pin Hole	L	A	B	Thread	Strength
RH	LH	Bearing	Diameter	Diameter				#10-32	1600LBS
3RS	3LS	200KP3	3/32	.190	2.312	.312	1.062	#10-32	1600
3RL	3LL	200KP3	3/32	.190	3.187	.312	1.062	1/4-28	2200
4RS	4LS	200KP4	1/8	.250	2.562	.500	1.188	1/4-28	2200
4RL	4LL	200KP4	1/8	.250	3.437	.500	1.188	5/16-24	3200
5RS	5LS	200KP4	5/32	.250	2.687	.500	1.188	5/16-24	3200
5RL	5LL	200KP4	5/32	.250	3.562	.500	1.188	5/16-24	3200
6RS	6LS	200KP5	3/16	.313	2.750	.563	1.313	5/16-24	4600
6RL	6LL	200KP5	3/16	.313	3.625	.563	1.313	5/16-24	4600

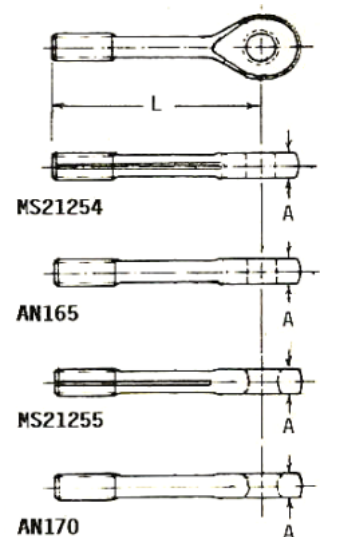


## MS21254 Supercedes AN165 and NAS648- EYE END TURNBUCKLE, FOR PIN

## MS21255 Supercedes AN170 and NAS647 EYE END TURNBUCKLE, FOR WIRE ROPE.

Steel- Cadmium plated per QQ-P-416. First letter denotes thread (left of right).  
Second letter denotes long or short. MS parts can replace AN parts. MS parts are interchangeable with NAS parts.

MS21254- MS21255-		AN165- AN170-		Wire Rope	21254	21255	L	A	Thread	Strength
RH	LH	RH	LH	Diameter	Hole Dia.	Hole Dia.				
-----	-----	5RS	5LS	1/16	-----	.172	.813	.125	#4-48	550LBS
2RS	2LS	8RS	8LS	1/16	.190	.188	1.500	.125	#6-40	800
2RL	2LL	-----	-----	1/16	.190	.188	2.375	.125	#6-40	800
3RS	3LS	16RS	16LS	3/32	.190	.219	1.625	.188	#10-32	1600
3RL	3LL	16RL	16LL	3/32	.190	.219	2.500	.188	#10-32	1600
5RS	5LS	22RS	22LS	5/32	.250	.281 (1)	1.750 (3)	.219	1/4-28	2200
5RL	5LL	22RL	22LL	5/32	.250	.281 (1)	2.625 (4)	.219	1/4-28	2200
5RS	5LS	32RS	32LS	5/32	.250	.281	1.750	.219	1/4-28	3200
5RL	5LL	32RL	32LL	5/32	.250	.281	2.625	.219	1/4-28	3200
6RS	6LS	46RS	46LS	3/16	.313	.313	1.875	.281	5/16-24	4600
6RL	6LL	46RL	46LL	3/16	.313	.313	2.750	.281	5/16-24	4600
8RL	8LL	61RL	61LL	1/4	.375	.375 (2)	2.875	.328 (5)	3/8-24	6100
8RL	8LL	80RL	80LL	1/4	.375	.375	2.875	.328	3/8-24	8000
9RL	9LL	125RL	125LL	9/32	.438	.469	3.375	.375	7/16-20	12500
10RL	10LL	175RL	175LL	5/16	.500	.563	3.625	.469	1/2-20	17500



## MS21256- TURNBUCKLE LOCKING CLIP. CRES.

MS21256-	L	Use With MS21251
-1	1.115	B2S, B3S, B5S, B6S
-2	2.000	B2L, B3L, B5L, B6L, B8L
-3	2.140	B9L, B10L

